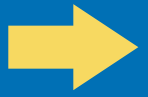




MECHANICAL EXTENSOMETER



Model : EM-1



It is essential to measure the elongation of test specimen under load, to have its mechanical properties. FIE extensometer Model EM-1 is intended to serve the above purpose.

Construction & Application :

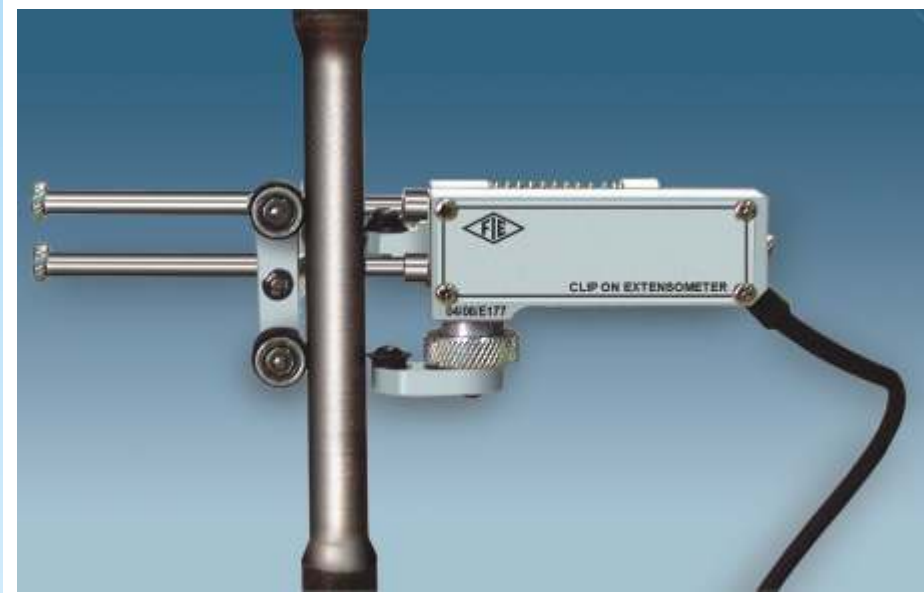
This consists of two long knife edges at top, two dial indicators and lower knife edges to actuate the dials. The bars are pressed against the specimen by means of clamp.

So that the knife edges bite the specimen to avoid any slip. The upper edges are adjustable to provide different gauge lengths for measurement. As deformation takes place the lower knife edges transfer the movement to the dial gauges and the deformation of specimen is shown on dials, so that the change in length of specimen by 1/100mm, equals to one division of the graduation on dial.

Technical Data :

1) Measuring Range	0 to 3 mm
2) Least Count	1/100 mm
3) Gauge Length (Adjustable)	30 to 120 mm
4) Thickness or diameter of specimen	1 to 20 mm
5) Dimensions - B x D x H	120 x 50 x 150 mm Approx.
6) Net Weight	0.3 kg Approx.

- Due to constant R & D, specifications and features are subject to change without notice.
- The dimensions given above are approximate.

**MECHANICAL EXTENSOMETER****Model : EE-2**

- The electronic extensometer, Model EE-2 is manufactured as per IS:12872:1990 & ISO 9513:1989 in class 1 accuracy.
- This equipment is basically used with Universal Testing Machines for tension test, It is used for measuring young's modulus, proof stress or yield stress.
- EE2 extensometer requires electronic signal conditioning PCB to interface it with UTM electronic panel.

Technical Data :

1) Measuring Range (Extension)	0-2 mm
2) Least Count	0.001 mm
3) Gauge Length (Adjustable)	25, 30, 45 & 50 mm
4) Thickness or diameter of specimen	1 to 20 mm
5) Excitation	± 5 VDC
6) Out put (Approx)	20 mV full scale

Optional Accessories

- EE-2 with gauge length 25.4, 62.5, 70 & 80 mm.
- Specimen thickness or dia 4 to 40 mm & 4 to 50 mm.

Manufactured by :

**Fuel Instruments & Engineers Pvt. Ltd.**

Plot No. 68 & 89, Parvati Co-op. Ind. Estate, Yadrav-416 145 (Ichalkaranji), Tal : Shirol, Dist : Kolhapur, Maharashtra State (INDIA)

Tel : +91-2322-252137, Fax : +91-2322-252397, Cell : +91 98223 94981

E-mail : mrk@fietest.com, Web : www.fietest.com / www.fuelinstrument.com